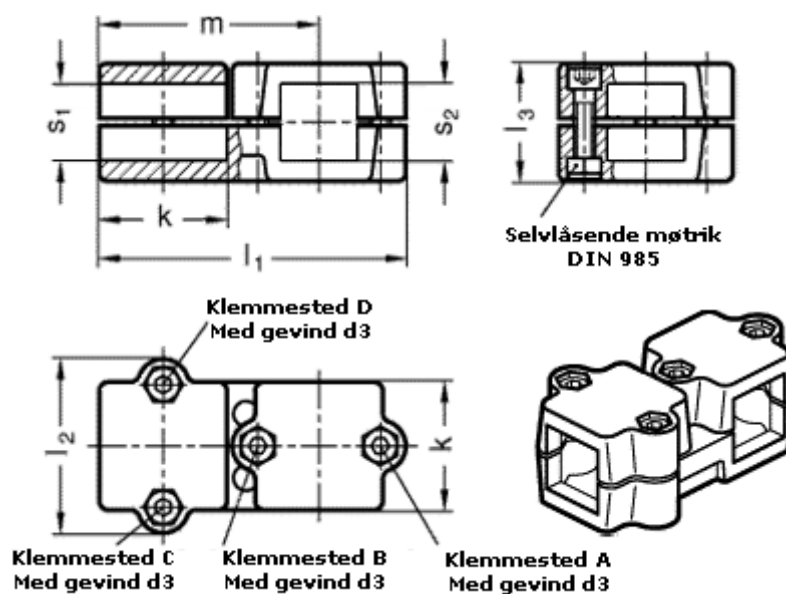


Article number: 20194V45V452SW

Description: E+G

T-angel clamps GN194-V45-V45-2-SW

## Measures



$d3 = M10$

$k = 76$

$l_1 = 176$

$l_2 = 98$

$l_3 = 70$

$m = 126$

$s_1 = 45$

$s_2 = 45$